

# TS-802

DELEGATE UNIT

The TS-802 is a Delegate unit of the Infrared Conference system. Since the system is cordless, it can be easily installed and removed. It can be operated on either the AD-0910 AC adapter (optional) or the BP-900 lithium-ion battery (optional). It is equipped with a remaining battery indicator. Two types of dedicated microphones are made available for the TS-802 as optional products: the TS-903 standard type and the TS-904 long type.

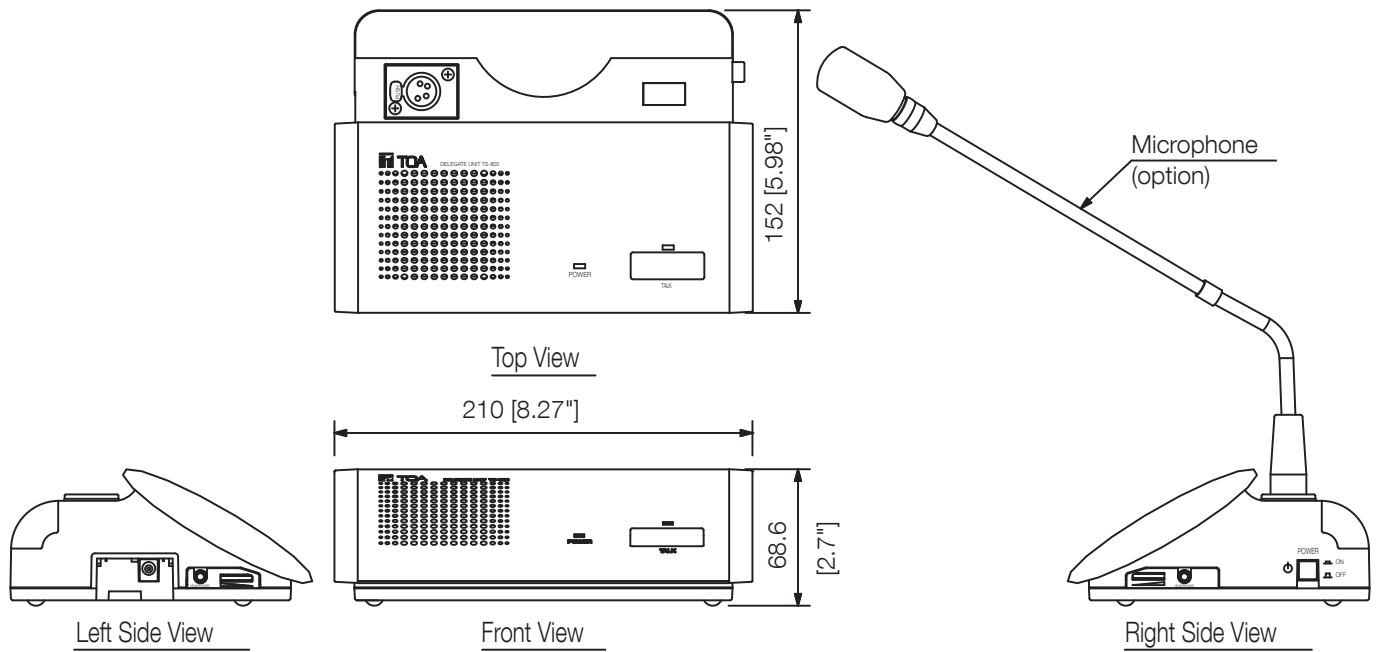


Order no: TS-802 CE

## Specifications

Power source	7.4 V DC (battery), 9 V DC (AC Adapter) (supplied from optional BP-900 Battery or AD-0910 AC Adapter)
Inputs	Microphone terminal: Combined type of XLR-4-31 (dedicated for connecting the optional TS-903 or TS-904)
Outputs	Monitor speaker: 8 Ω, 0,2 W / Headphone: Mini jack x 2
Weight	0,6 kg
Dimensions (W x H x D)	210 x 68,6 x 152 mm
Dimensions (ø x D)	x 152 mm
Gross weight	0,76 kg

Appearance



UNIT:mm SCALE:1/4